

Fulflo® “M” Series Single Cartridge Vessels

- Carbon Steel
- 316 Stainless Steel

Single Cartridge Filter Vessel Series

High Pressure Single Cartridge Vessels

Parker's “M” Series Single Cartridge Filter Vessels are designed for a broad range of high pressure industrial and chemical process applications. All details of design, materials, construction and workmanship comply with the ASME code for pressure vessels. The “M” series is available with and without the ASME stamp.

Applications

- Chemicals
- Process Water
- Catalyst Recovery
- Lubricants
- Solvents
- Coolants
- Cutting Oils
- Hydraulic Oils
- Other High Pressure Liquids
- Compressed Air and Gases



Features and Benefits

- ASME design to insure integrity, available with and without the ASME stamp.
- T-Style head and shell for ease of installation and servicing.
- Standard O-ring closure seal is Buna-N, with optional materials available for improved chemical compatibility and higher temperature rating.
- Flanged or threaded connections to suit installation requirements and preference.
- Optional 150, 300 or 600 lb RFS0 flange connections for installation flexibility.
- 1 inch connections for maximum flow capability of filter cartridges.
- Utilizes one 10, 20 or 30 inch cartridge.
- Multiple bolt closure with bright zinc plated studs and nuts.
- Optional single-open-end (SOE 2-222 TC Style) cartridge adapter for positive sealing of high efficiency filter cartridges.
- Wide range of cartridge media available for process clarity control and chemical compatibility.
- Rigid cartridge support post with threaded end seal for positive double open end (DOE) cartridge sealing.

Process Filtration Division



Single Cartridge Filter Vessel Series

Specifications

- Carbon steel or 316 stainless steel material
- Drain: 1/4 in NPT
- Vent: 1/4 in NPT
- Bolting: (4) 5/8-11 UNC bright zinc plated carbon steel

Maximum Allowable Working Pressure

Connections	Designation	Carbon Steel at 250°(121°C)	316 Stainless Steel at 250°(121°C)
FNPT	T	1610 psig	1610 psig
150 lb. Flange	F	245 psig	227 psig
300 lb. Flange	H	665 psig	590 psig
600 lb. Flange	J	1332 psig	1180 psig

Note: FNPT maximum pressure is 1610 psig at 300°F with EPR O-ring, 400°F with Viton and FEP encapsulated Viton O-ring, and 500°F with FEP Encapsulated Silicone. Flanged units (F, H, and J designations) are based on ANSI B16.5 pressure at 250°F (121°C). The flanged versions can also be rated for the higher design temperature in which case the pressure rating will be reduced according to ANSI B16.5. Indicate the desired temperature in degrees F at the end of the model number. The gasket material and flange rating must be changed accordingly.

"M" Series Flow Rates and Dimensions

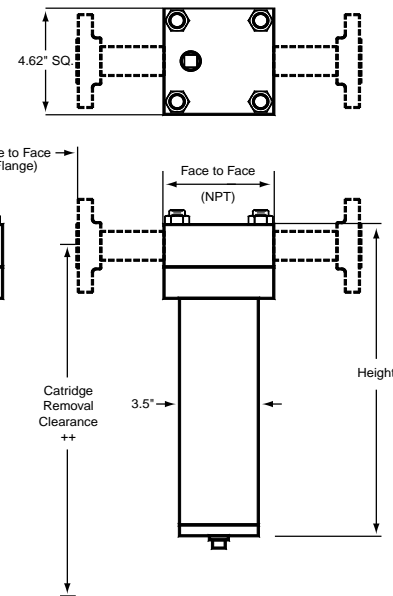
Model	Typical Aqueous [†] Flow Rate (gpm)	Cartridge Length (in)	Height (in) ⁺⁺	Inlet Face to Outlet Face (in)		Weight (lbs)		Cartridge Removal Clearance (in) ⁺⁺
				FNPT	Flanged	FNPT	Flanged	
MC(N or U)1S	6	10	14.5	4.62	12.62	37	45	22
MC(N or U)1D	12	20	24.5	4.62	12.62	46	54	42
MC(N or U)1T	18	30	34.5	4.62	12.62	55	63	62

[†] Actual flow is dependent on fluid viscosity, micron rating, contaminant, media type and desired initial pressure drop.

⁺⁺ Add 3" when using TC internal option for use with TC style 2-222 O-ring cartridges.

Ordering Information

M	C	U	1	S	1	F	N	TC	XXX
Series	Material	Design	Columns	Length	Inlet/Outlet	I/O Type	Gasket Material	Internal Option	Special temperature for flanged units
	C = Carbon Steel S = 316 SS	N = Non-Code U = ASME U-Stamp	1 = 1 Element	S = 10" Cart. D = 20" Cart. T = 30" Cart.	1 = 1"	T = FNPT F = Flanged 150# H = Flanged 300# J = Flanged 600#	N = Buna-2-222 o-ring E = EPR adapter V = Viton* T = FEP encapsulated Viton* L = FEP encapsulated silicone	Blank = center post for DOE	Blank = 250°(121°C)



* A trademark of E. I. du Pont de Nemours & Co.

Process Filtration Division

Parker Hannifin Corporation
Process Filtration Division
P.O. Box 1300
Lebanon, Indiana 46052
Toll Free 1-888-C-FULFLO (238-5356)
Telephone (765) 482-3900
Fax (765) 482-8410
<http://www.parker.com>

